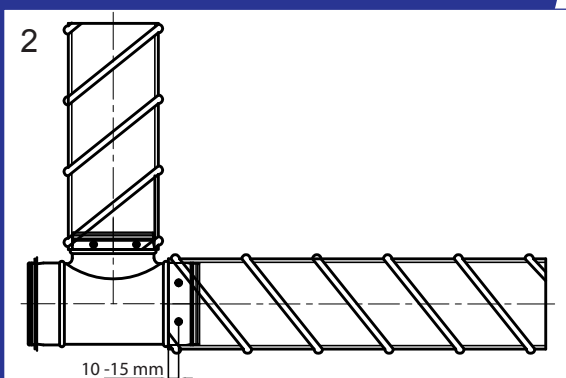
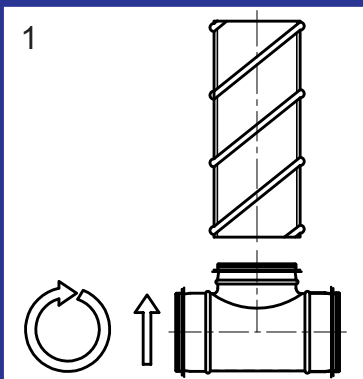
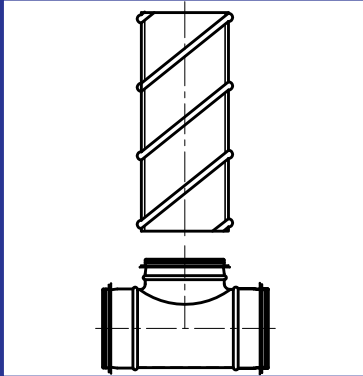


Mounting instructions



Preparation

All material needs to be clean.

Shortening of the ducts

Cut each duct with a right angle. Trim the shortened duct.

Mounting of the fittings

- Check the ducts, fittings and rubber seals for imperfections.
- Slide the end of the insert length of the fitting up to its swage. Turn the fitting slightly to make the mounting easier. (1)
- Mount the fittings to the duct with drill quicks or pressure tight blind rivets. (2)
- The table below shows the required number of drill quicks or pressure tight blind rivets per diameter duct:

Ø Duct (mm)	Minimum Ø drill quicks (mm)	Number
80 - 125	3,2	2
140 - 250	3,2	3
280 - 630	3,2	4
710 - 1250	4,0	12

- Use as short as possible drill quicks or pressure tight blind rivets.
- Distribute the drill quicks or pressure tight blind rivets evenly.
- Prevent damage to the rubber seal by mounting the drill quicks or pressure tight blind rivets 10-15 mm from the end of the duct.
- In case of wrong mounting blind the rivet holes.





Air Spiralo® KEN-LOK® ducts and fittings With ease a higher air tightness

Unique features

- Air tightness class D
- Quick and easy mounting
- Less mounting material (*no tape*)
- Ideal for visible places



Through the KEN-LOK® program of Air Spiralo® to air tightness class D

KEN-LOK® from Air Spiralo® implies:

- Double lip rubber seal at each side of the fitting
- The double lip rubber seal is integrated with the 'Soft-Edge' technology (rolled over edge)
- Rubber profile in the folded seam of the duct

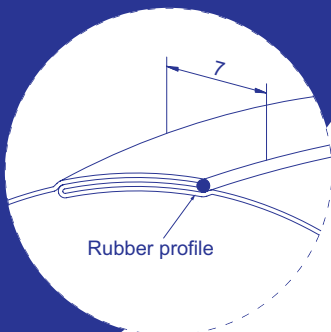


Through the KEN-LOK® program of Air Spiralo® quicker mounting and less mounting material

- Quick and easy mounting
- Easy to adjust even during the mounting by turning the fitting
- Less mounting material (*no tape*)
- A dry and clean surface is no longer a necessity (*no tape*)
- Easy installation (especially in hard to reach locations)
- Ideal for visible places

Through the KEN-LOK® program of Air Spiralo® optimal quality

- All Air Spiralo® products comply to the European norms.
- All Air Spiralo® KEN-LOK® products comply to system air tightness class D according to EN 12237.



A ventilation system mounted with Air Spiralo® KEN-LOK® ducts and fittings complies to air tightness class D and is easy to install



Air Spiralo® • Kennemer Schagen Industries BV

P.O. Box 51 • 1740 AB Schagen • The Netherlands

T +31 224 210067 • F +31 224 216 545 • info@airspiralo.com • www.airspiralo.com